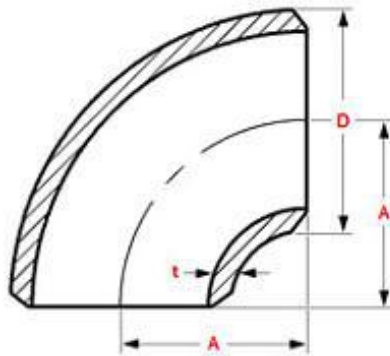




Hebei Shengtian Group is a large enterprise which integrate production and supply fluid pipeline , pipe fittings and electric power hardware. It has the ability of mould, casting, heat treatment, galvanizing, spraying, processing and assembling. To provide comprehensive, one-stop services and solutions for the water supply system, fire fighting system, air conditioning and heating and ventilation system, water supply and drainage system, agricultural irrigation system, power transmission and transformation system, mining, machinery and equipment, and so on, which can meet the needs of different working conditions.

According to customers' different needs, we specialize in customizing various pipeline and supersize fittings, and we serve our customers with the aim of excellence. The products supplied by the company are used in various civil and industrial fields, such as water, oil, gas, heat, electric power transportation and so on. Products comply with the British standard, German standard, Japanese standard, American Standard etc.



ASTM A234 Wpb Special Carbon Steel 90 Long RADIUS Elbow

Web:www.youpipeline.com Email:sale@stpipefitting.cn